
Intermot Hydraulic Motors

IAM+ Series

H4 Models

IAM+ 800 – 900 – 1000 – 1100 – 1200 – 1300 – 1400 H4

INDEX

TECHNICAL DATA	Pag. 41
IAM+ 800 - 900 - 1000 - 1100	
1200 - 1300 - 1400 H4	Pag. 42
GRAPHIC PERFORMANCES	Pag. 43
ORDERING INSTRUCTIONS	Pag. 48

IAM+ H4

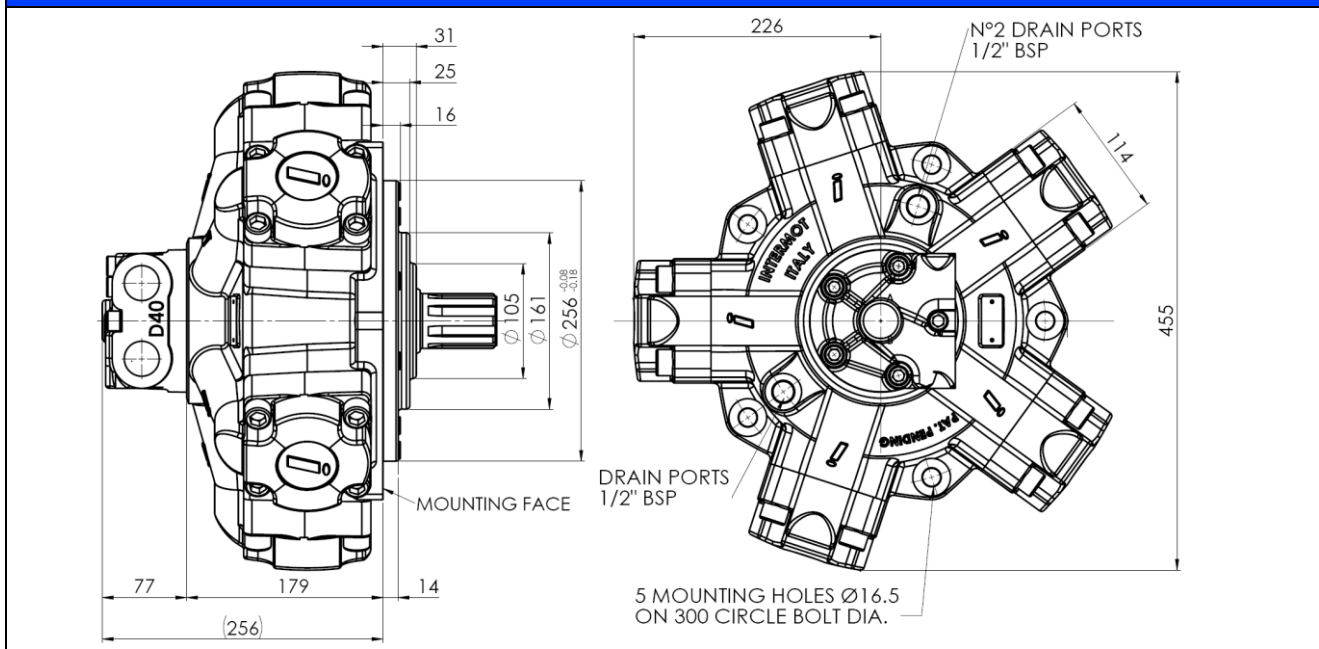
Technical data

MODEL		N° of pistons	Displacement	Specific Torque	Pressure			Speed		Max Power		Dry Mass	Max case pressure	Max back pressure	Temperature range	Minimum speed	Inertia moment of rotating parts
					Max Cont.	Max Int.	Peak	Max Cont.	Peak								
					cm ³ /rev	Nm/bar	bar										
IAM+ H4	800	5	764	12.2	300	350	400	450	530	129	96	92	6	70	-30 ÷ +70	1	267
	900		877	14.0	300	350	400	450	530	129	96						
	1000		966	15.4	300	350	400	300	400	129	96						
	1100		1093	17.4	300	350	400	300	400	129	96						
	1200		1193	19.0	300	350	400	300	350	129	96						
	1300		1333	21.2	300	30	400	230	280	129	96						
	1400		1406	22.4	300	350	400	230	280	129	96						

IAM+ H4

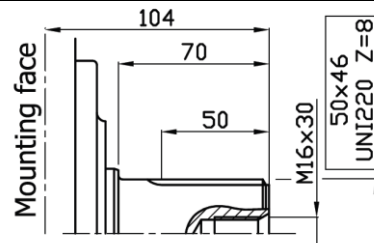
Dimensional drawings

IAM+ 800 – 900 – 1000 – 1100 – 1200 – 1300 – 1400 H4

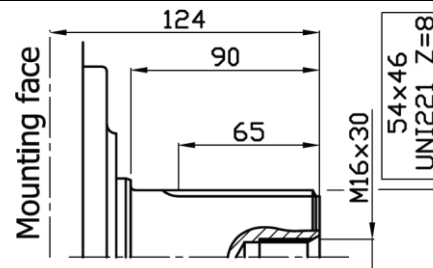


SHAFTS

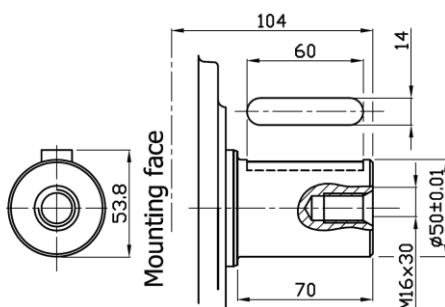
A0: Standard splined shaft



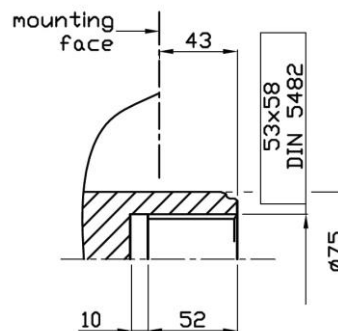
A1: Splined shaft on request



A2: Parallel shaft on request

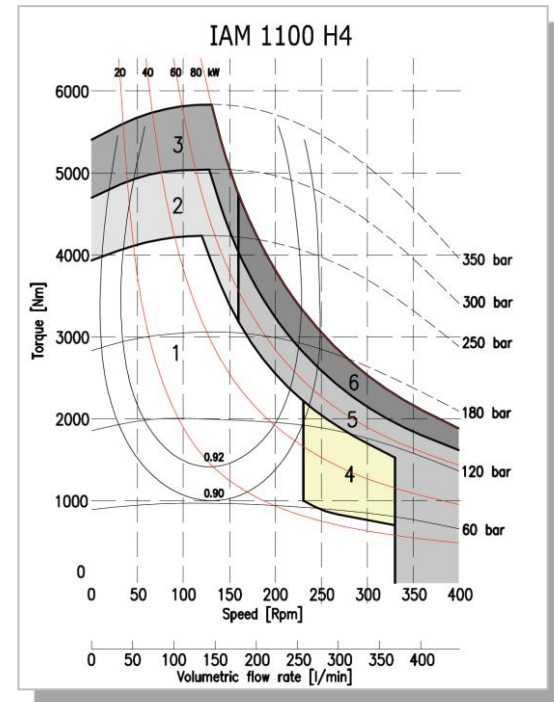
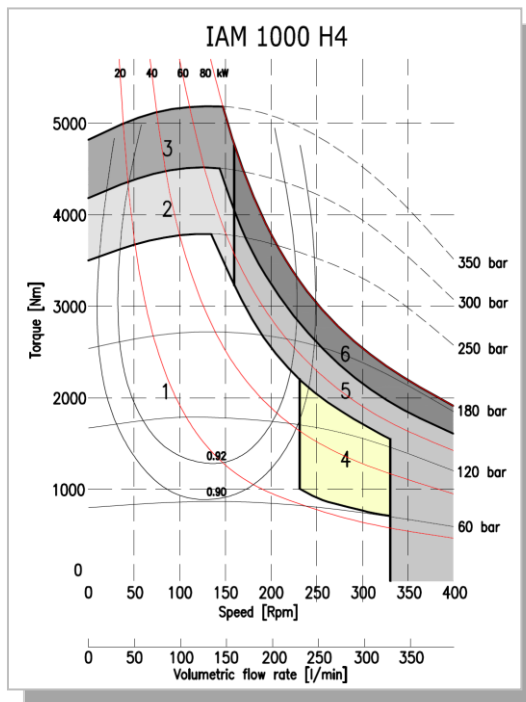
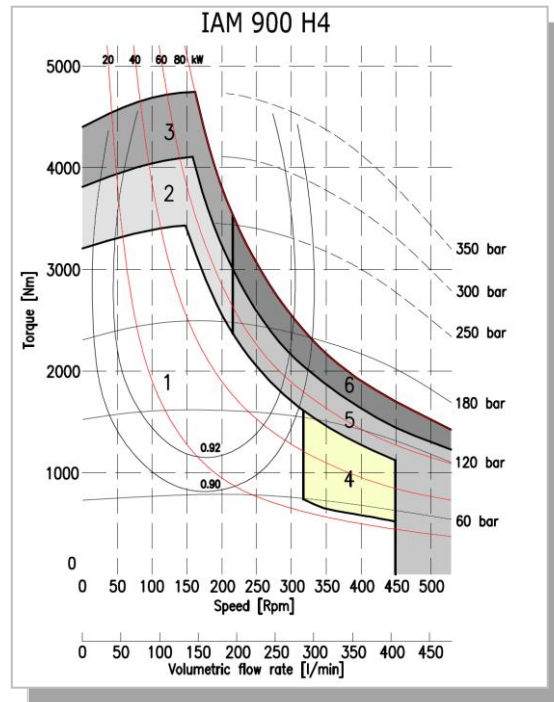
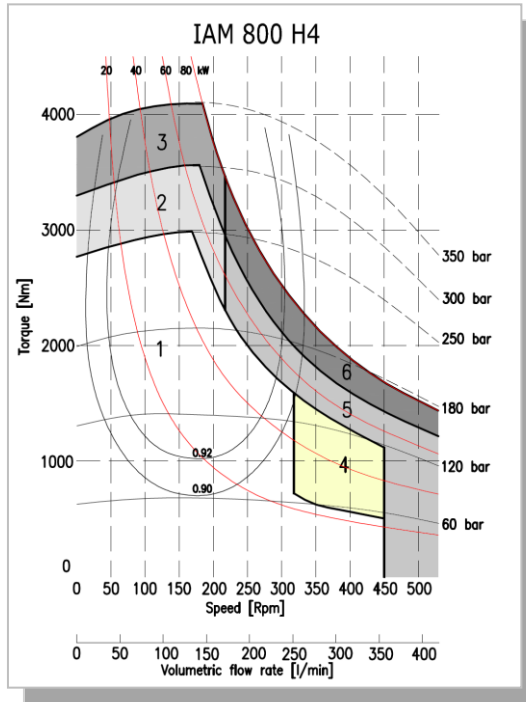


A3: Female shaft on request



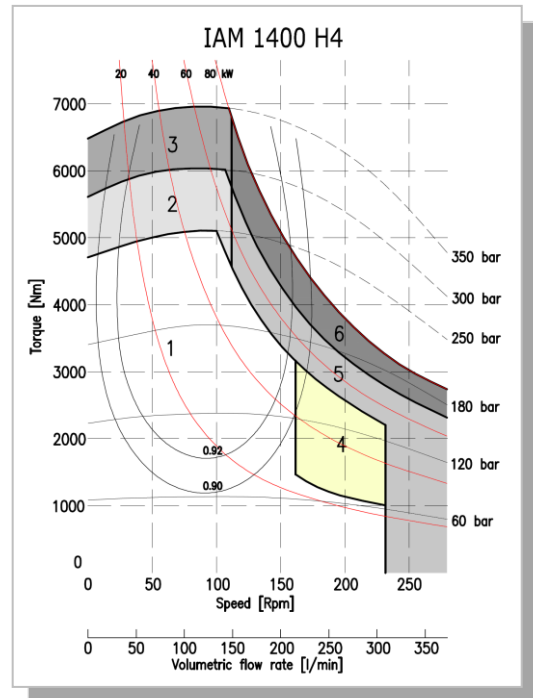
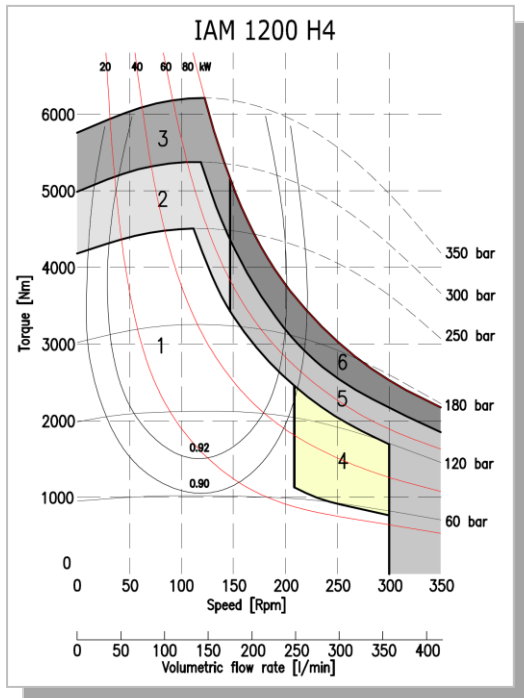
IAM+ H4

Power charts



IAM+ H4

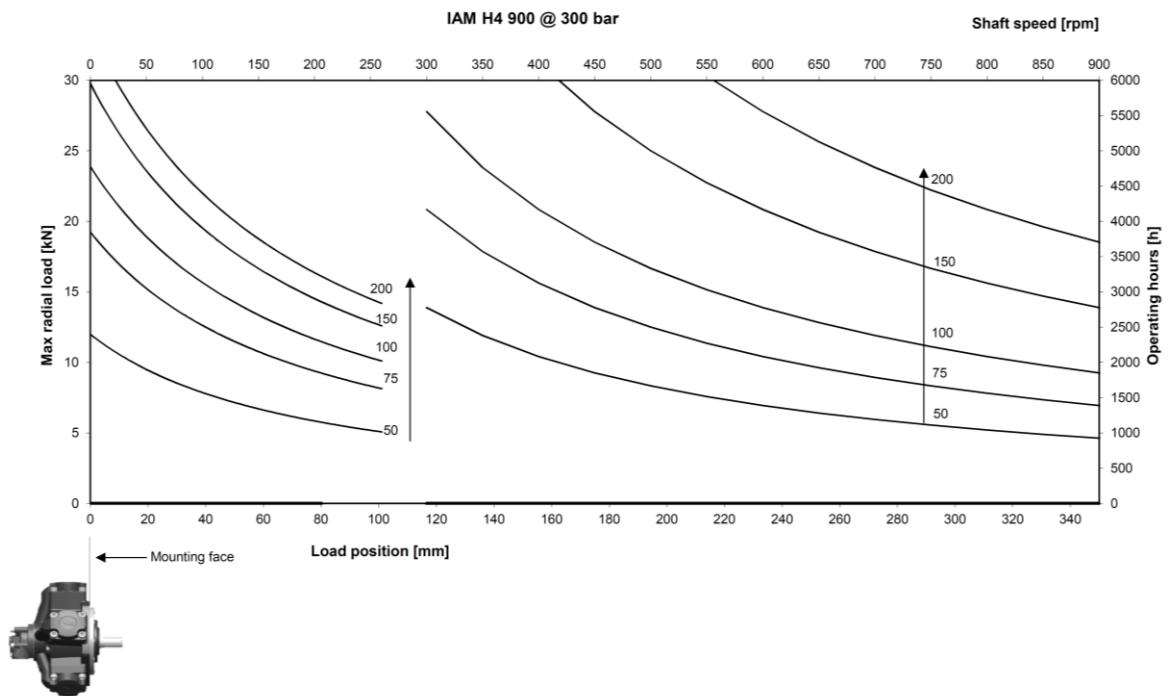
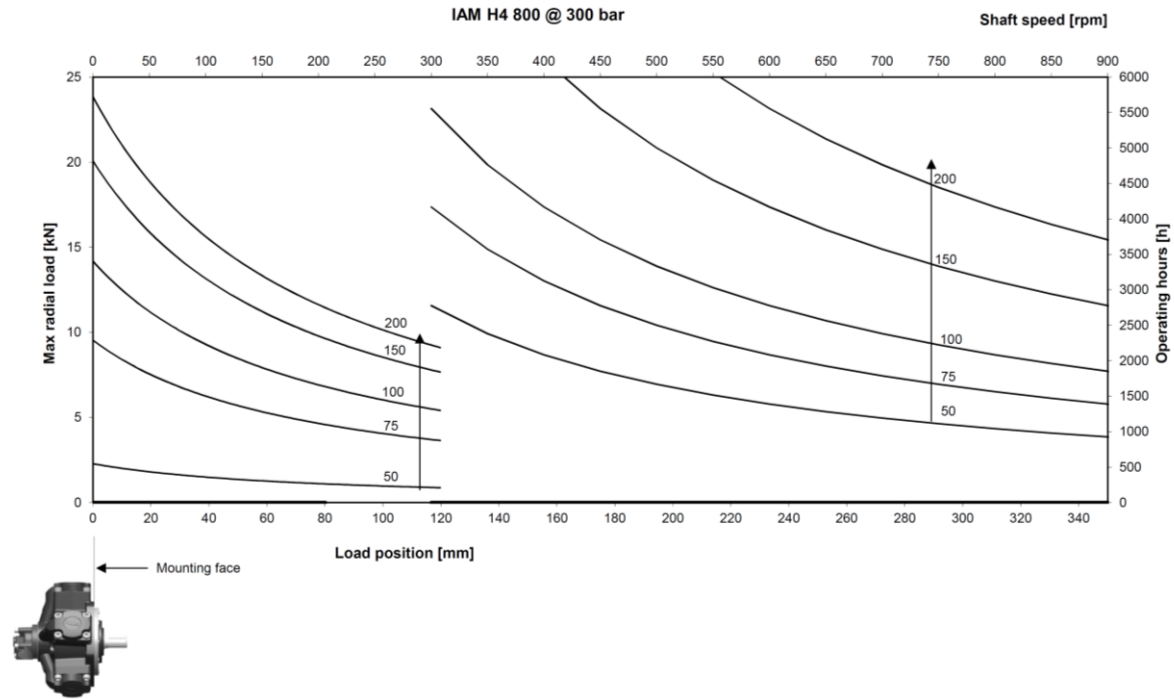
Power charts



1	Continuous operation	4	Continuous operation with flushing
2	Intermittent operation for period 3-5 minutes every 10-15 minutes	5	Intermittent operation for period 3-5 minutes every 10-15 minutes with flushing
3	Intermittent operation for very short period (3-5 seconds every 10-15 minutes)	6	Intermittent operation for very short period (3-5 seconds every 10-15 minutes) with flushing

IAM+ H4

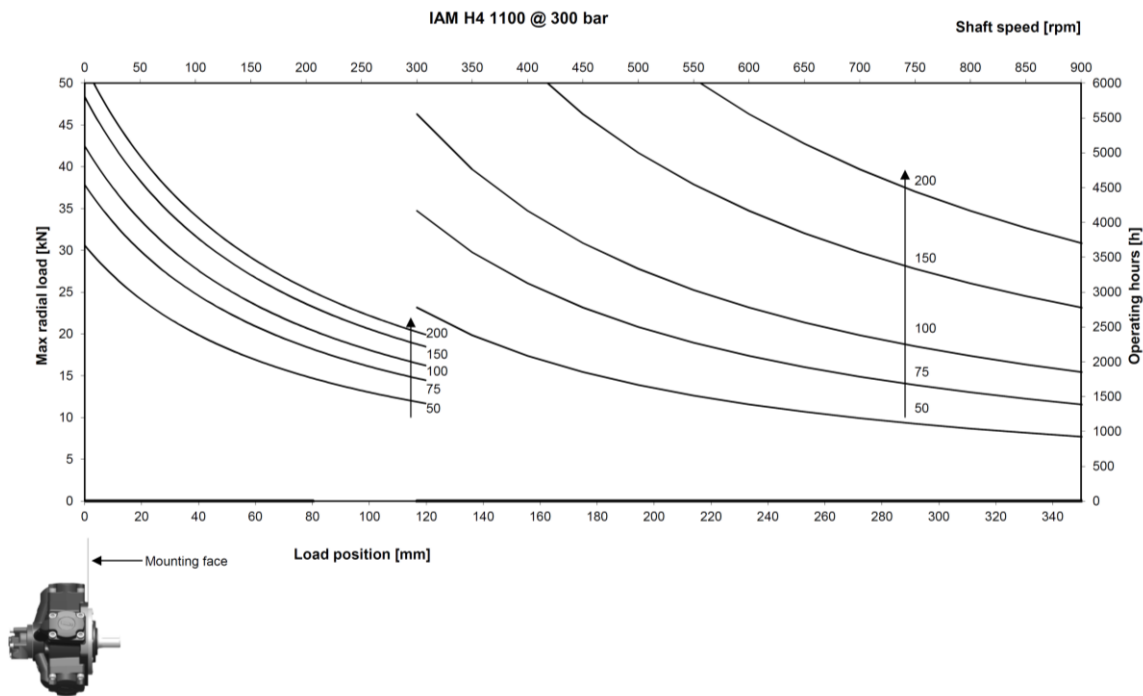
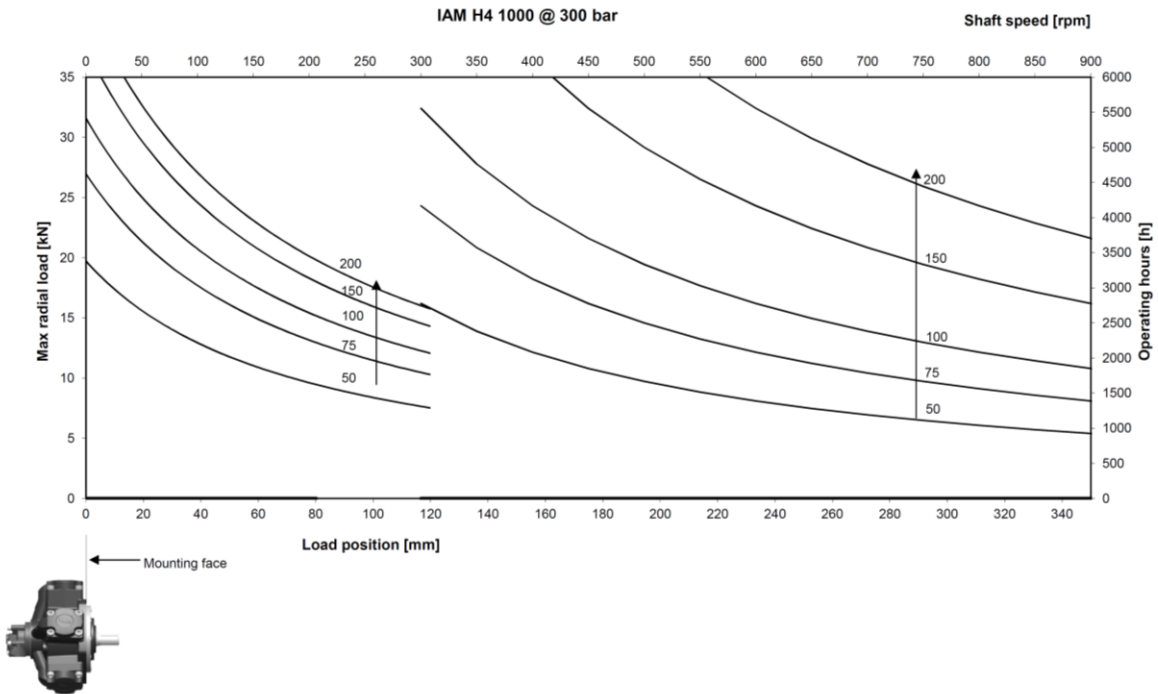
Side load charts



The data specified into this catalogue are for product description purpose only and must not be interpreted as warranted characteristic in legal sense. Intermot reserves the right to implement modification without notice. 45

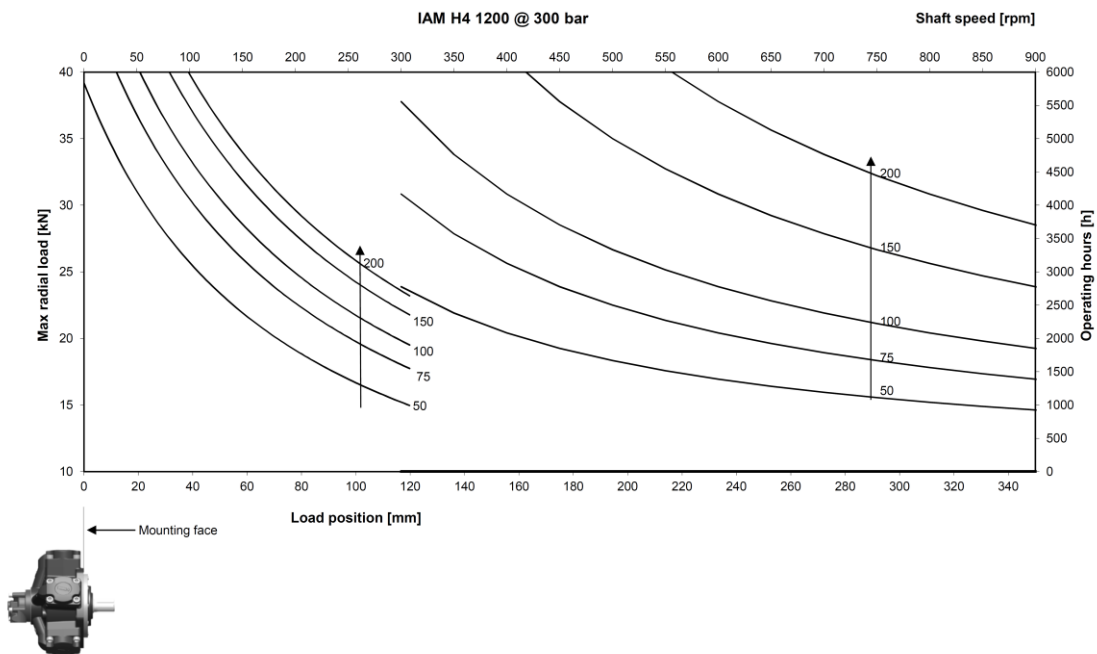
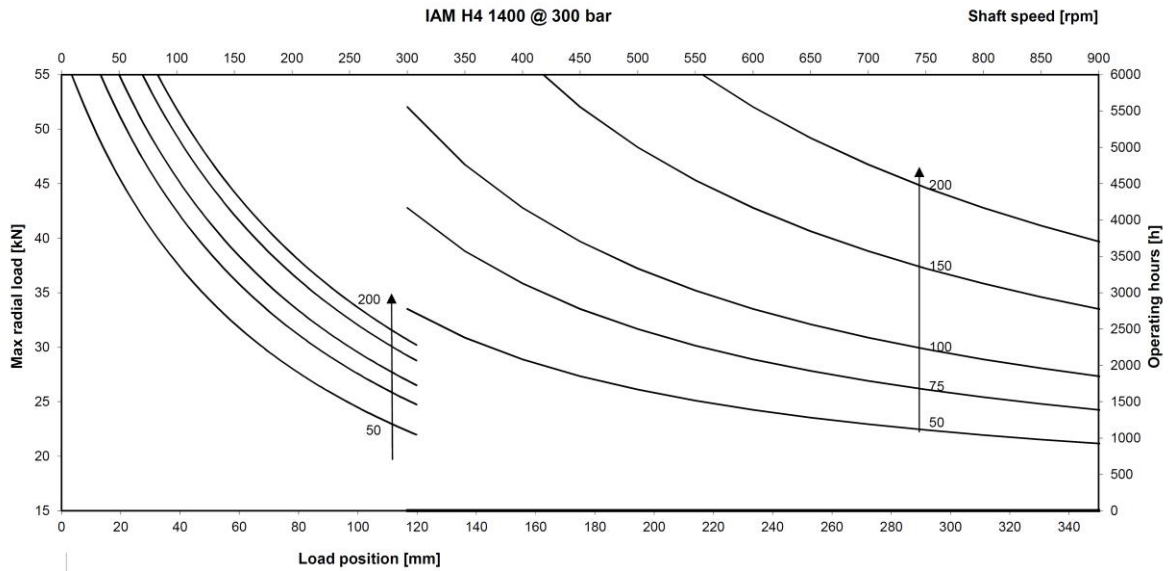
IAM+ H4

Side load charts



IAM+ H4

Side load charts



IAM+ H4

Ordering instructions

IAM+	---	H4	A _	D _ _	---	SB _
Model						
Displacement						
800 cc/rev						
900 cc/rev						
1000 cc/rev						
1100cc/rev						
1200 cc/rev						
1300 cc/rev						
1400 cc/rev						
Housing						
			Shaft			
A0 – Standard splined shaft						
A1 – Special splined shaft						
A2 – Parallel keyed shaft						
A3 – Female shaft						
				Distributor		
D31 – ¾" BSP						
D310 – 1" BSP						
D40 – 1" BSP						
D47 – SAE 1" 3000 psi flange						
					Tachometer	
K						
TA						
TB						
EST						
						Spline billet
SB4 – 46 UNI 220						
SB5 – 46 UNI 221						

EXAMPLE : IAM+ 800 H4 A0 D40

IAM+ 1000 H4 A0 D40 EST SB4